



TERMICOL compact Solar Water Heating System, Thermosyphon Closed-Loop solar system with selective flat plate solar collector. Hidden tank option, designed for central Domestic & Commercial Hot Water systems.

Model: TBXXXUF.

Range: TB150UF (ATF150L) with 1 X T20US (2 m²).

TB200UF (ATF200L) with 1 X T20US (2 m²).

TB250UF (ATF250L) with 1 X T25US (2,5 m²).

TB300UF (ATF300L) with 2 X T20US (4 m²).

Solar Keymark system certificated: TB150UF, TB200UF, TB250UF, TB300UF.

Warranty terms: 10 years functional warranty on the solar collectors.

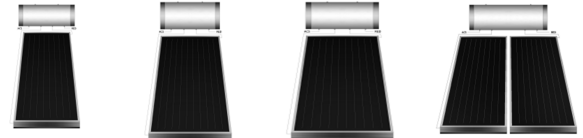
5 years functional warranty on the storage tank.

This kit includes all the necessary elements to be interconnected, guaranteeing a right operation and long useful life with a high performance. The installation is fast, easy and with low maintenance cost.

Solar Water Heater by Thermosyphon kits include :

- Horizontal storage tank 150, 200, 250 or 300 liters
- T20US or T25US solar collector.
- Flat or sloping roof galvanized steel structure
- Complete installation kit
- DN16 Stainless steel connection
- 2,5 kW electrical back-up

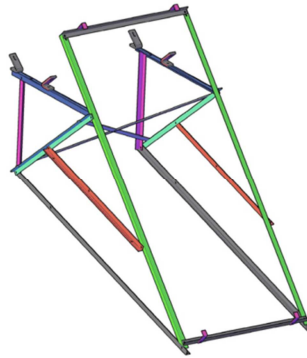
TECHNICAL FEATURES



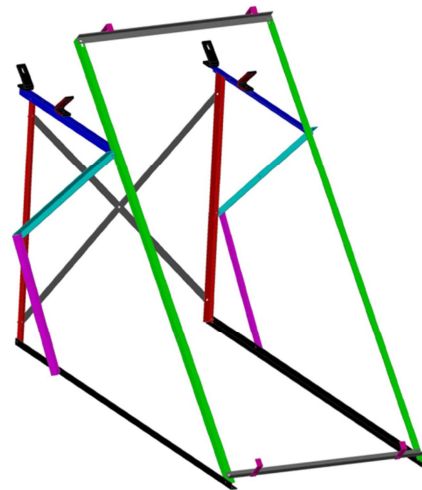
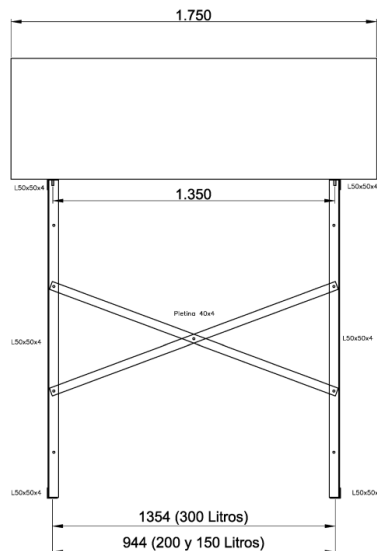
Model		TB150UF	TB200UF	TB250UF	TB300UF
SOLAR STORAGE TANK					
Volume	l	150	200	250	300
Manufacturing		USD 37.2 2,5 mm thick double jacket enameled steel (DIN 4753) at 840°C			
Exchanger		USD 37.2 1,5 mm thick enameled steel coating			
Exchanging area	m ²	0,81	0,97	1,38	1,78
Fluid volume	l	6,70	10	11,20	16,60
Insulation		25 mm. Super insulation injected polyurethane (CFC & HCFC free), 40 kg/m ³ density			
External finishing		Galvanized Steel with Nanotechnology Lacquered			
Empty weight	kg	76,0	95,0	115,0	130,0
Dimensions	mm	Ø 575 x 1.023	Ø 575 x 1.268	Ø 575 x 1.521	Ø 575 x 1.784
Certification		ISO 9001:2000 & TUV Rheinland			
SOLAR COLLECTOR					
Collector type		1X T20US	1X T20US	1X T25US	2X T20US
Useful area	m ²	2,00	2,00	2,50	4,00
Manufacturing		Selective Alanod coating, AL6063T5 aluminium case, 40mm mineral wool insulation			
Optical efficiency	%	0,80	0,80	0,79	0,80
Primary loss factor	W/m ² ·K	3,93	3,93	3,49	3,93
Secondary loss factor	W/m ² ·K	0,028	0,028	0,018	0,028
Empty weight	kg	37,0	37,0	39,0	74,0
Fluid volume	l	1,02	1,02	1,27	2,04
Certification		KEYMARK N° PSK-047-2012 (TB-UF)			
STRUCTURE					
Made of galvanized steel (10,0 Kg)					
SOLAR W. HEATER					
Fluid volume	l	14,40 l	16,40 l	19,50 l	24,40 l
Pressures	bar	Working: 10,0; Testing: 13,0; Offload: 2,5			
V/A ratio	l/m ²	75,0	100,0	100,0	75,0
Empty weight	kg	120,0	145,0	194,0	215,0
Service weight	kg	275,0	349,0	490,0	530,0

TERMICOL structures are made up of galvanized steel with shape forms designed to support the heaviest weights, meeting strictly the specified under building norm NB-AE/88.

SLOPING ROOF STRUCTURE



FLAT ROOF STRUCTURE



CONNECTION KIT

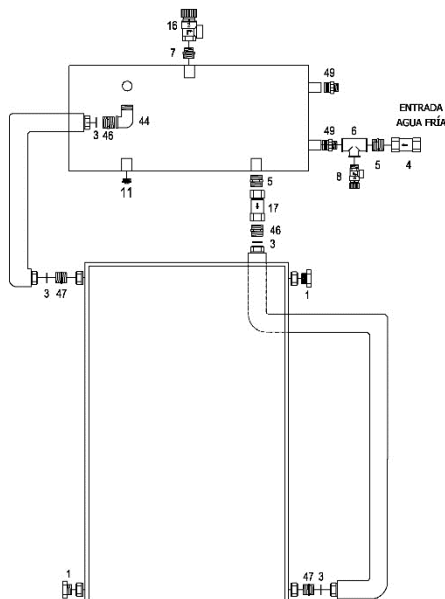


FIGURE	DESCRIPTION	Number of pieces per type	
		150 - 200	300
01	COPPER PIPE COMPRESSION PLUG 18	2	2
03	JOINT	4	4
04	CHECK VALVE 3/4" F	1	1
05	NIPPLE 3/4"	2	2
06	BRASS TEE 3/4" - 1/2"-3/4" F	1	1
08	NIPPLE 3/4" - 1/2"	1	1
11	SAFETY VALVE 8 ATM. 1/2" M	1	1
16	PLUG 3/4"	1	1
17	SAFETY VALVE. 2.5 ATM A 1/2" F	1	1
44	ANTI-THERMOSYPHON VALVE 3/4"	1	1
46	ELBOW 90 3/4" M-F	1	1
47	NIPPLE 3/4" PLANE - 3/4"	2	2
49	NIPPLE 3/4" PLANE - 18 mm	2	2

REFERENCES

TB150UF	WITH FLAT ROOF STRUCTURE	TB01015118
	WITH SLOPING ROOF STRUCTURE (with drilling screws)	TB01015118IP
	WITH SLOPING ROOF STRUCTURE (with tile savers)	TB01015118IS
TB200UF	WITH FLAT ROOF STRUCTURE	TB01020120
	WITH SLOPING ROOF STRUCTURE (with drilling screws)	TB01020120IP
	WITH SLOPING ROOF STRUCTURE (with tile savers)	TB01020120IS
TB300UF	WITH FLAT ROOF STRUCTURE	TB01030218
	WITH SLOPING ROOF STRUCTURE (with drilling screws)	TB01030218IP
	WITH SLOPING ROOF STRUCTURE (with tile savers)	TB01030218IS

ELECTRICAL BACK-UP RESISTANCE (included) POWER: 2.500 W WITH THERMOSTAT